



Short Description

- Nickel plated alloy steel IP67 shear beam load cell
- Low profile
- Suitable for hopper, floor and other electronic scales
- High accuracy



Test certificate no. TC8382 Revision 0
C of C no R60/2000-NL1-13.21 Rev. 1

Available Models

Capacity	Accuracy	Full Article Description
200kg	C3	H8Q-C3-200kg-3B
500kg	C3	H8Q-C3-500kg-3B
1000kg	C3	H8Q-C3-1000kg-3B
2000kg	C3 Excluded from OIML	H8Q-C3-2000kg-3B

Technical Specifications H8Q

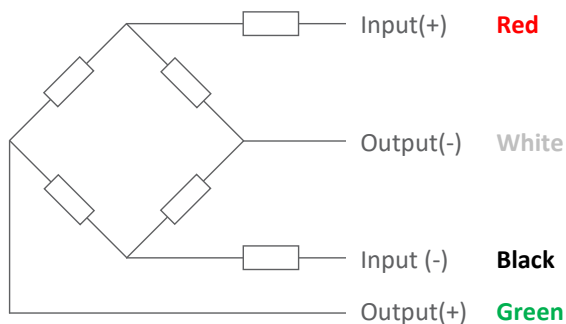
Accuracy Class		OIML R60 C3	C3	
Output Sensitivity (= FS)	mV/V	2.0 ± 0.002		
Maximum Capacity (E _{max})	kg	200, 500, 1000	2000	
Max. Number of Load Cell Intervals	n _{LC}	3000		
Ratio of min. LC Verification Interval	$Y = E_{max} / v_{min}$	15000	10000	
Combined Error	%FS	≤± 0.0230		
Creep Error (30 minutes)	%FS	≤± 0.016		
Temperature Effect on Zero (ZTC)	%FS/10°C	≤± 0.017		
Temperature Effect on Sensitivity (STC)	%FS/10°C	≤± 0.014		
Zero Balance	%FS	≤± 1.0		
Safe Overload	%FS	150		
Ultimate Overload	%FS	300		
Maximum Deflection	mm	0.57		
Excitation, Recommended Voltage	V	5 ~ 12		
Excitation, Maximum Voltage	V	18		
Input Resistance	Ω	1106 ± 5		
Output Resistance	Ω	1000 ± 3		
Insulation Resistance (50V)	MΩ	≥5000		
Compensated Temperature	°C	-10 ~ + 40		
Operating Temperature	°C	-35 ~ + 65		
Storage Temperature	°C	-40 ~ + 70		
Load Cell Weight	kg	200kg – 500kg: ~0.5	1000kg: 0.6	2000kg: 1.0
Element Material		Nickel Plated Alloy Steel		
Ingress Protection (acc. to EN 60529)		IP67		
Recommended Torque on Fixation Bolts	Nm	M12: 75		

Wiring

Features:

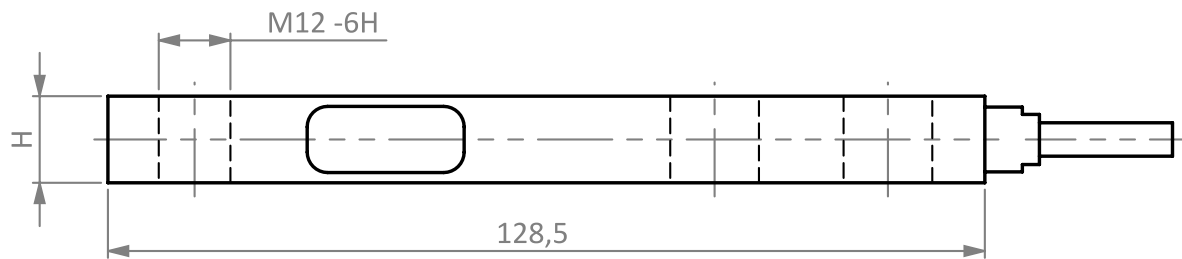
Cable type: Shielded, 4 conductor cable , conductor AWG 22
 Cable diameter: Ø 5.0mm
 Cable length: 3m
 Cable jacket: Polyurethane
 Shield not connected to element

4-Wire Connection Diagram

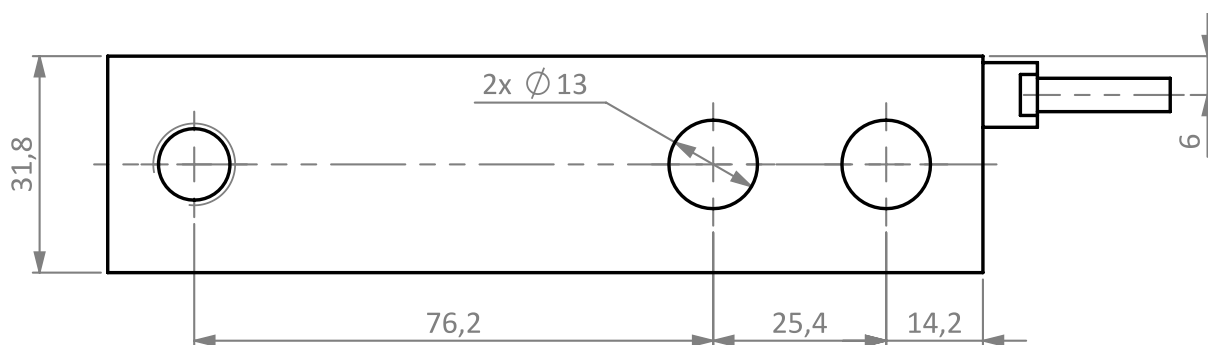


Dimensions in mm

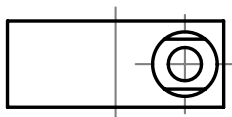
Front View



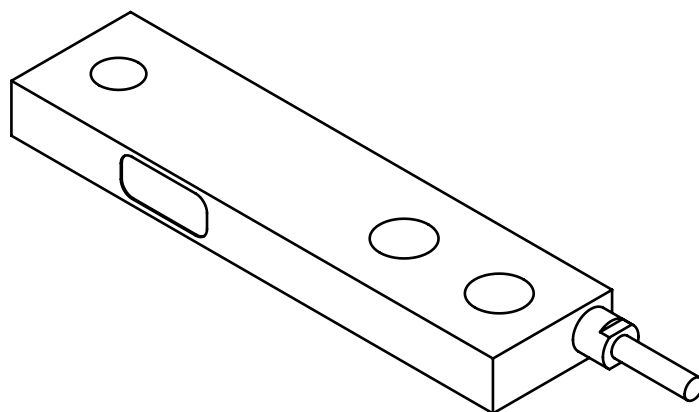
Top View



Side View



Isometric View



Capacity \ Dimension	H
200kg	12.7
500kg	15.9
1000kg	19.1
2000kg	25.4